

Width (B Inch)

ϕ (A Inch)

PCD (D mm)

ϕ CB (E mm)

ET (C mm)

Customer Information

Customer name: _____

Zip code: _____

E-Mail: _____

Telephone number _____

Whats' app/skype _____

Shipping address _____

Order content

Total number of orders _____ pcs

Number of front wheel _____ pcs

Number of rear wheel _____ pcs

Front wheel size (A*B) _____ ET (C) _____ PCD (D) _____ CB (E) _____

Rear wheel size (A*B) _____ ET (C) _____ PCD (D) _____ CB (E) _____

The original car models _____ (Year)

Requirements for wheel design

Maximum load of wheels: _____ LBs

Wheel spokes design style: Deep concave Concave Flat Convex

Whether to customize aluminum center cap:

Back Pad engraving words:

Engraving information: _____

Install TPMS: Yes No

Wheels finish

Color Paint: _____ color

Double Color Paint: _____ and _____ color

Color Paint+ Machine Face: _____ color

Chrome: _____ color Golden silver other

Polished:

Brush:

Brake data and caliper data

Front wheel:

Rear wheel:

A: _____ mm

A: _____ mm

B: _____ mm

B: _____ mm

C: _____ mm

C: _____ mm

D: _____ mm

D: _____ mm

E: _____ mm

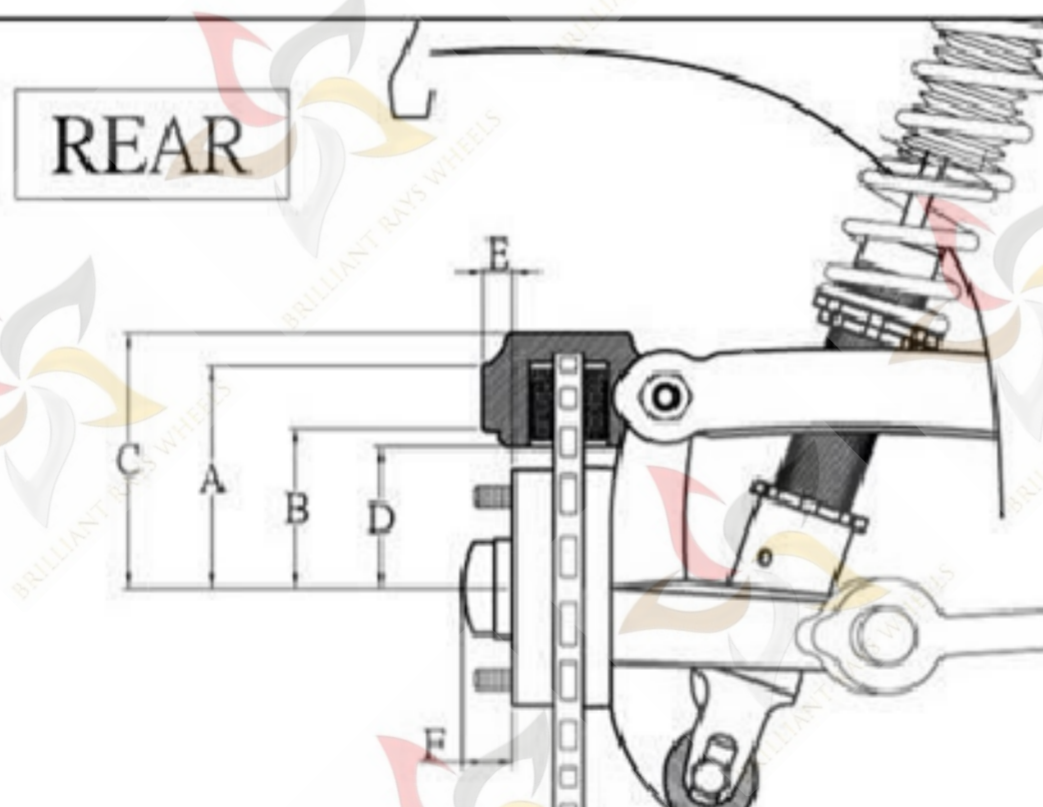
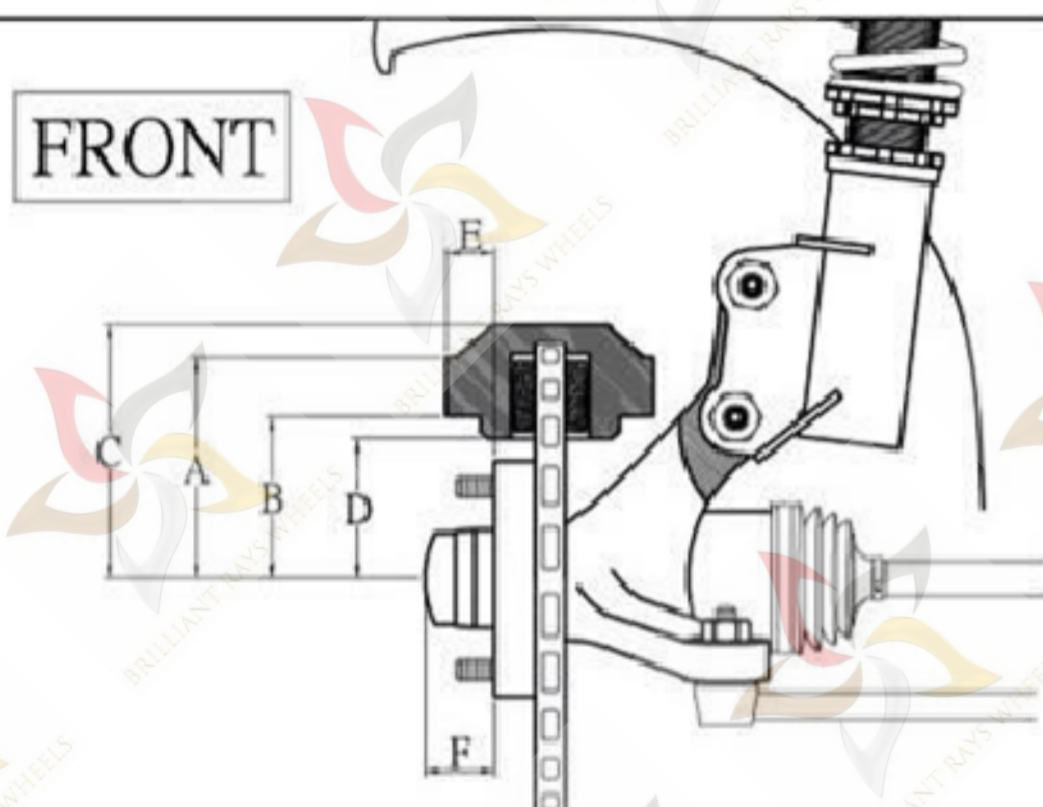
E: _____ mm

F: _____ mm

F: _____ mm

Note:

1. _____
2. _____



A Distance between Hub center point to far end edge of outward face of caliper _____ mm

B Distance between Hub center point to near end edge of outward face of caliper _____ mm

C Distance between Hub center point to the top edge of caliper _____ mm

D Distance between Hub center point to bottom edge of caliper _____ mm

E The distance of caliper over the hub mounting surface _____ mm

F Protrusion of drive shaft over hub mounting surface _____ mm

A Distance between Hub center point to far end edge of outward face of caliper _____ mm

B Distance between Hub center point to near end edge of outward face of caliper _____ mm

C Distance between Hub center point to the top edge of caliper _____ mm

D Distance between Hub center point to bottom edge of caliper _____ mm

E The distance of caliper over the hub mounting surface _____ mm

F Protrusion of drive shaft over hub mounting surface _____ mm